

PROCONTROL®

PROCONTROL

ProxerGate 4 the intelligent tripod turnstile

The ProxerGate 4, this intelligent and elegant turnstile, provides an ideal solution where you need to control access through a specific entrance or exit.

Non-contact pass

The ProxerGate4, as an automatic, motorized turnstile, ensures contactless passing: optical sensors follow the person pass by, and the rotor turns in a way and speed to ensure smooth and clear transit.

Controlled access

At a turnstile integrated into an access control system the person shows an identifier or pays the admission fee at a paid entry solution and the gate lets one person through.

The gate is easy to use: it indicates free or closed way using the international green, yellow and red lights and a sound signal (the latter can be switched off). At sabotage, violent action the system gives alarm signals and logs the data.



Safety and protection

The designed, curved housing contains no sharp corners, parts causing injury.

For entering with wheelchairs or trolleys ProxerPort2 swing gate means a good solution, specially designed for such use.

Integration, communication

Via Ethernet connection the turnstile is manageable and can be monitored using the ProxerNet software.

The gate controller has bidirectional communication interface; movement data, event logs, status can be queried, while the chosen operation mode, table of access rights and parameters can be uploaded.

For integrators: the gate can be controlled with potential free contacts, a person can pass by both directions, and an optional feedback is possible on the effective action of the pass.

Structure

The ProxerGate4 turnstile is a nicely designed, aesthetic, automatic entrance.

It consists of a stable case, a three-armed rotor, and a head containing the intelligent electronics, gate control, sensors, optional readers (RFID proximity, barcode and fingerprint) and the signal system. It has polished stainless steel housing with RAL 9003 white fiberglass and resin inserts. Optionally the ProxerGate4 can be ordered with brushed stainless steel and with powder-coated housing in other RAL colors.

The gate can be fixed with dowels, stay bolts driven into the screed.

Properties:

- Automatic motorized turnstile
- Easy to integrate into access control systems, can be controlled by card reader
- Bi-directional controlled passing is possible
- Strictly controlled entry of persons
- Anti pass-back function
- High-gloss, chrome-nickel corrosion-resistant stainless steel housing
- Indoor (outdoor is optional)
- Exclusive design
- Transmissivity: approx. 40 persons / min

Technical details:

- Dimensions: 1000 x 500 x 240 mm + fork
- Power supply: 12V DC
- Power consumption: 3W (peak 200W)
- Readable IDs (depending on the optional built-in reader):
 - RFID proximity card
 - barcode
 - fingerprint
- Weight: 55kg
- Environmental temperature -20 - +45C
- Relative humidity: max. 80%



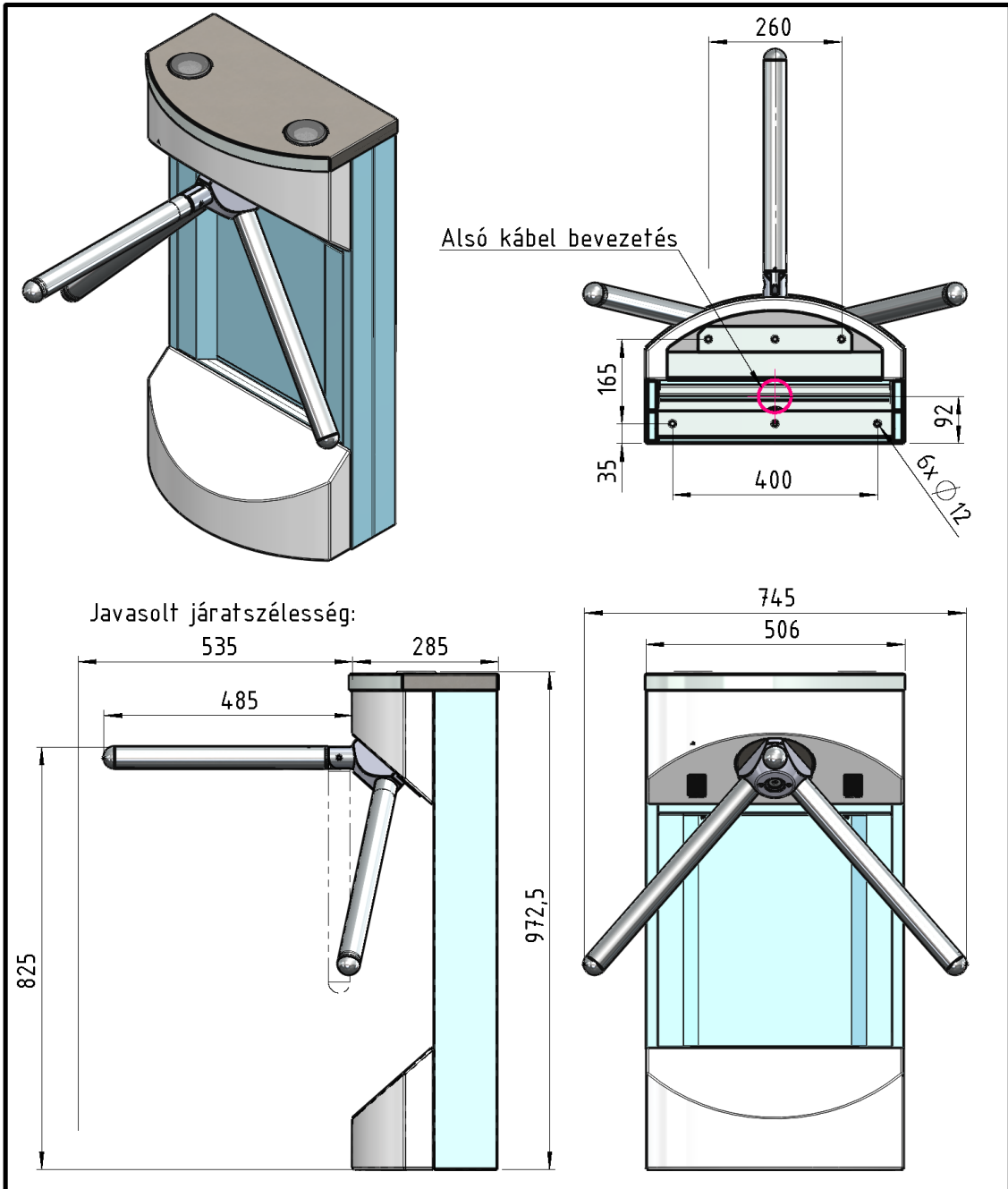
Options:

- Crush barriers (high gloss, chrome-nickel, curved-glass, etc.) according to individual demands
- Can be connected to fire alarm systems
- Gate control readers (RFID proximity, barcode, fingerprint readers)
- Remote control
- Card absorber, can be built in, for collecting guest cards and opening gate
- Can be combined with AutoPay4 payment machine to a paid entry turnstile
- **Modes of operation:**
 - Closed in both ways
 - Passable in inward direction with access card
 - Passable in outward direction with access card
 - Passable in both directions with access card
 - Open in both directions (without access card)
 - Open in inward direction (without access card)
 - Open in outward direction (without access card)
 - Service mode

**Types:**

According to certain regulations, at the signal of the fire alarm system or other alarm system all exits must be permeable. The two main types of ProxerGate4 can be distinguished by the way they react to an alarm signal.

- **ProxerGate4** (basic type): The ProxerGate4 turnstile becomes automatically free by fire signal. It does not make identification and does not ask for any card, but let everyone pass through. Still it operates contactless, turning automatically before approaching.
- **ProxerGate4E** (drop arm version): The drop arm turnstile ProxerGate 4E becomes automatically free by fire signal, drops the arm and gives green light.
- **ProxerGate4-EXT**: (basic type) with IP65 protecting, outdoor enclosure
- **ProxerGate4E-EXT**: (drop arm type) with IP65 protecting, outdoor enclosure



| | | | | | |
|--------------------------|--|----------------------|--|-----------------|--|
| Beosztás: Név: | | Megnevezés: | | Méret: | |
| Tervező: Kovács K. | | ProxerGate4E | | M1:10 | |
| Rajzoló: Berecz Z. | | | | Tömeg: | |
| Ellenőr: Kovács K. | | | | 55 kg | |
| Szabv. ellenőr: | | Vetítési mód: | | Rajzsám: | |
| Tech. ellenőr: | | Megjegyzés: | | 1622-15-o2000 | |
| Főkonstruktor: Kovács K. | | Anyag: | | Revízió: | |
| Dátum: | | X | | R1 | |
| 2015/06/11 | | X | | Lapok száma: 1 | |
| | | | | Sz. lap: 1 | |

PROCONNIKUL ELECTRONICS LTD.