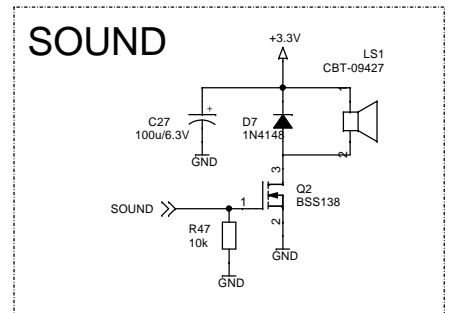
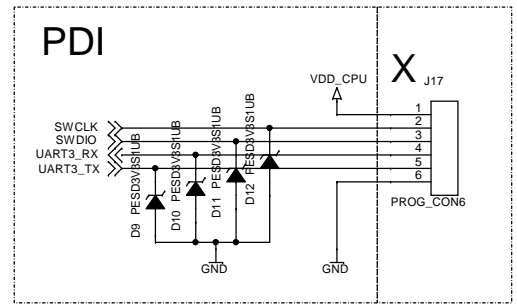
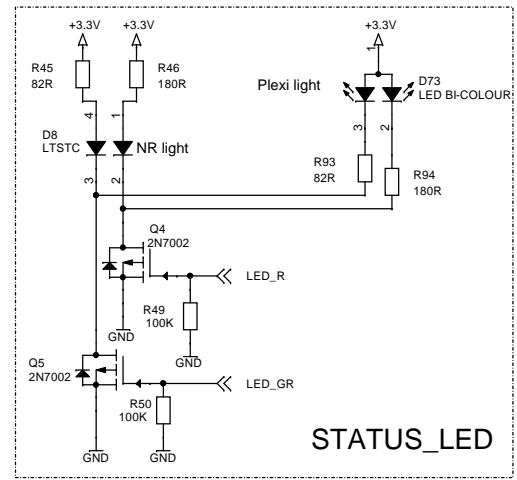
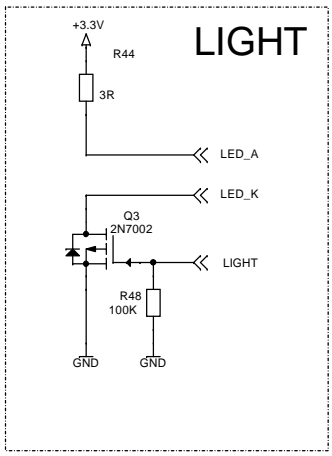
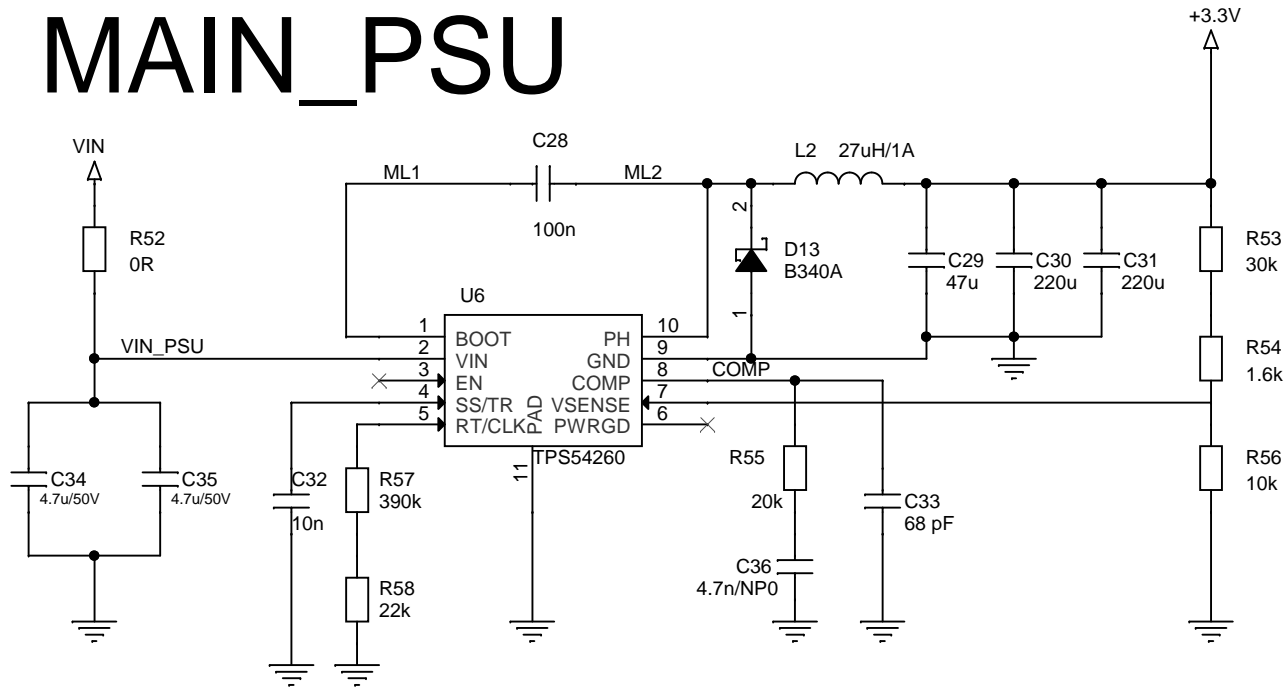


CPU

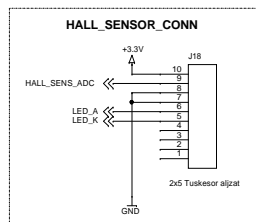
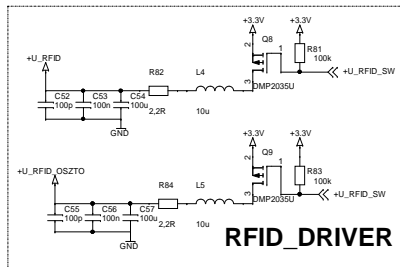
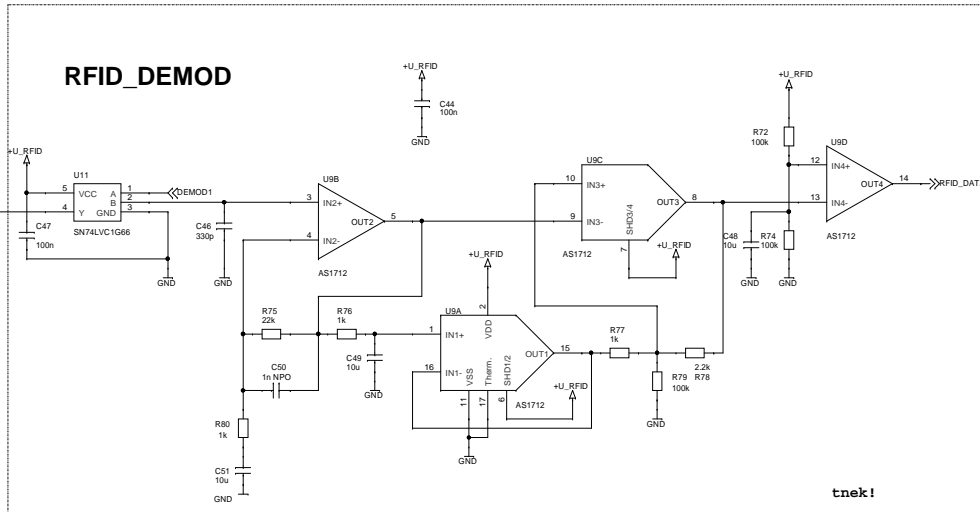
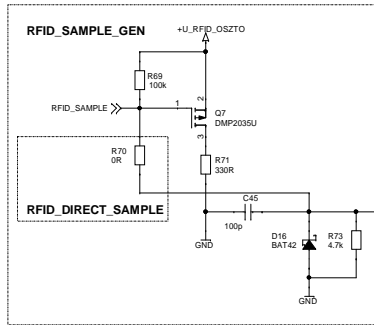
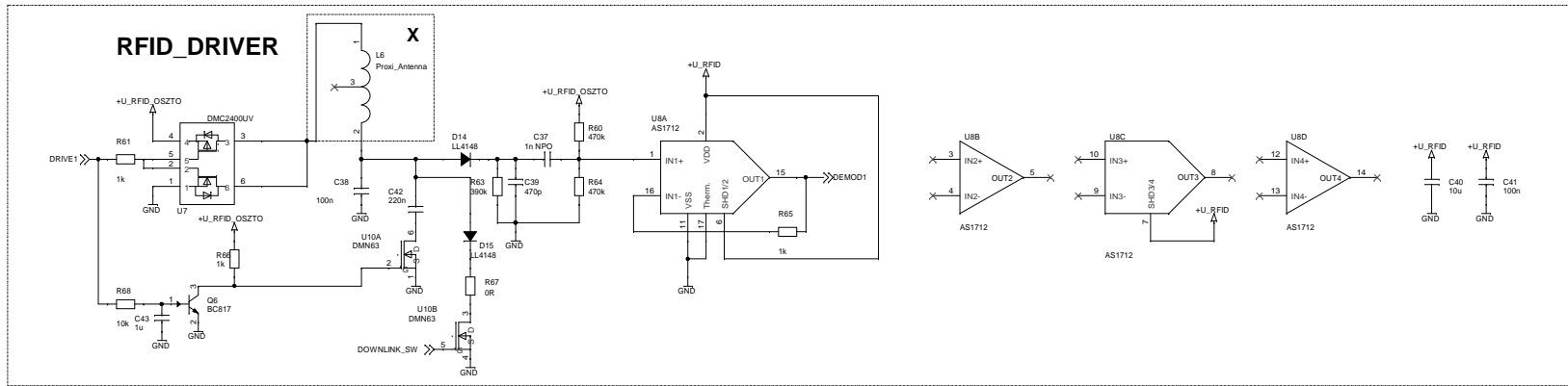


Title		
PSB60G Lock electronics		
Size	Document Number	Rev
A3	1881-17	1
Date:	Wednesday, July 26, 2017	Sheet 2 of 5

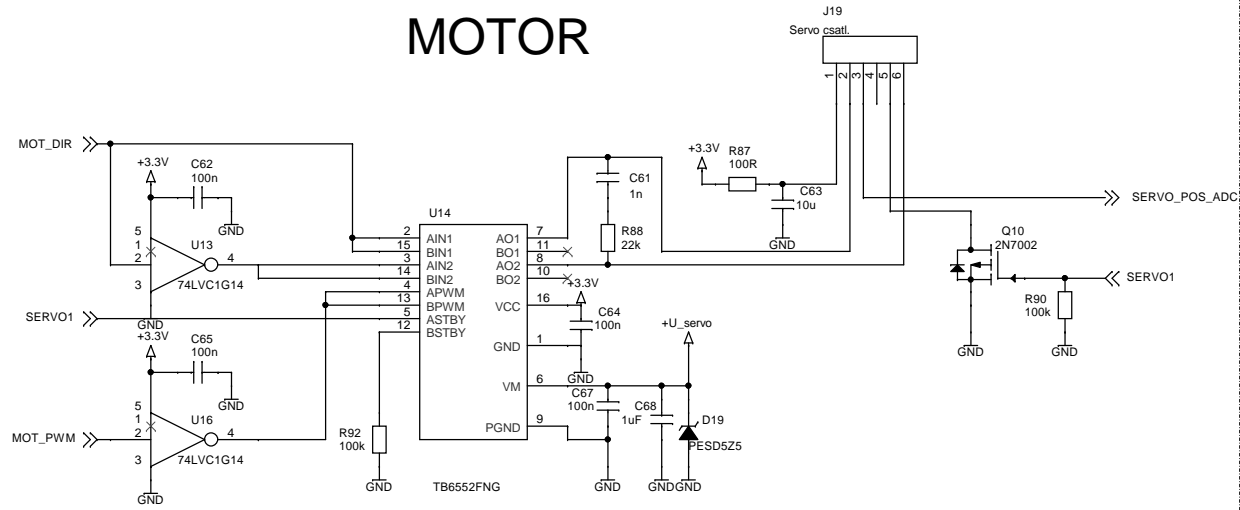
MAIN_PSU



Title		
PSB60G Lock electronics		
Size	Document Number	Rev
A	1881-17	1
Date:	Wednesday, July 26, 2017	Sheet 3 of 5

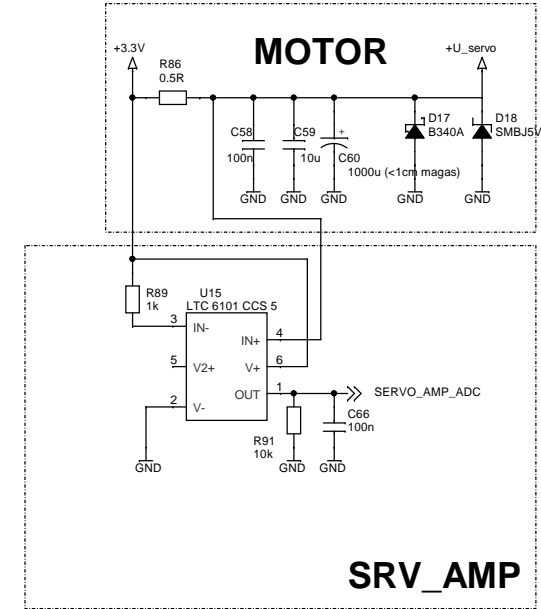


MOTOR



Keylock motor

MOTOR



SRV_AMP

Position sensor

Title		
PSB60G Lock electronics		
Size	Document Number	Rev
A3	1881-17	1
Date:	Wednesday, July 26, 2017	Sheet 5 of 5